

# Products

## N550 Series Emergency Shutoff Valves

### Introduction

Snappy Joe® N550 Series Emergency Shutoff Valves (ESVs) are designed for in-line installations, usually near a bulkhead. The valves provide a means of shutting off gas in the event of a hose rupture or piping break at the transfer area to avoid a large scale loss of LP-Gas (propane) or ammonia.

These valves can be manually opened and closed at the installed location or closed remotely by either cable or air. A remote operating actuator is also available.

While the ordinary cable can be used, the Type P164B release assembly is available. This assembly uses cable housing (50 feet (15.2 meters) in length) which does not require elaborate guiding like uncovered cables.

Remote pneumatic closure is available with Type P327D release. Pressure on the Type P327D allows the valve to be latched in the open position with manual closure possible at the valve. Loss of pressure 30 to 70 psig (2,7 to 4,8 bar) air, nitrogen, or CO<sub>2</sub> permits the ESV to close. Operating temperatures range from -40° to 212°F (-40° to 100°C).

### Features

- High Flow Capacity
- Ease of Operation
- Cable Release
- Pneumatic Operation
- Rugged Construction
- Fuseable Element
- UL Listed

Opening and closing of Snappy Joe ESVs from a remote location can be done by using the Type P327C air cylinder. The cylinder opens the valve when around 30 to 70 psig (2,7 to 4,8 bar) air or nitrogen is applied.

Fisher makes available a small 3-way control valve (part number T11395 99012) for pneumatic ESV installation. This control valve can be used as primary control (open or close the ESV) or an auxiliary remote release (close only).

### Maximum Allowable Inlet Pressure

400 psig (27,5 bar)

### Outlet Pressure Range

See Table 1

### Temperature Capabilities

-20° to 150°F (-29° to 66°C)

### Body Sizes and End Connection Styles

See Table 1

### Additional Technical Data

For more technical information contact your Fisher Distributor or refer to LP-31 Equipment Buyer's Guide.

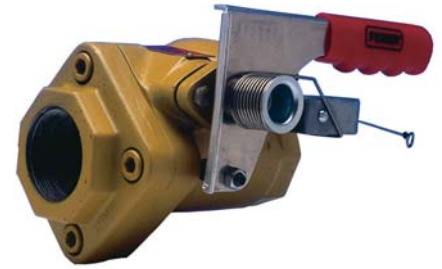


Figure 1. N550 Series Emergency Shutoff Valve

Table 1. Valve Specifications

BODY SIZE	FLOW IN GALLONS PER MINUTE (LITERS PER MINUTE) OF PROPANE		ACCESSORIES	ORDER NUMBER
	1 Psid (0,069 Bar)	2 Psid (0,14 Bar)		
1-1/4-inch FNPT	50 (189)	75 (284)	P164B Cable Release P327D Pneumatic Release P327C Air Cylinder T11395 Control Valve	N550-10
2-inch FNPT	75 (284)	115 (435)		N550-16
3-inch FNPT	190 (719)	275 (1041)		N550-24

# N550 Series Emergency Shutoff Valves

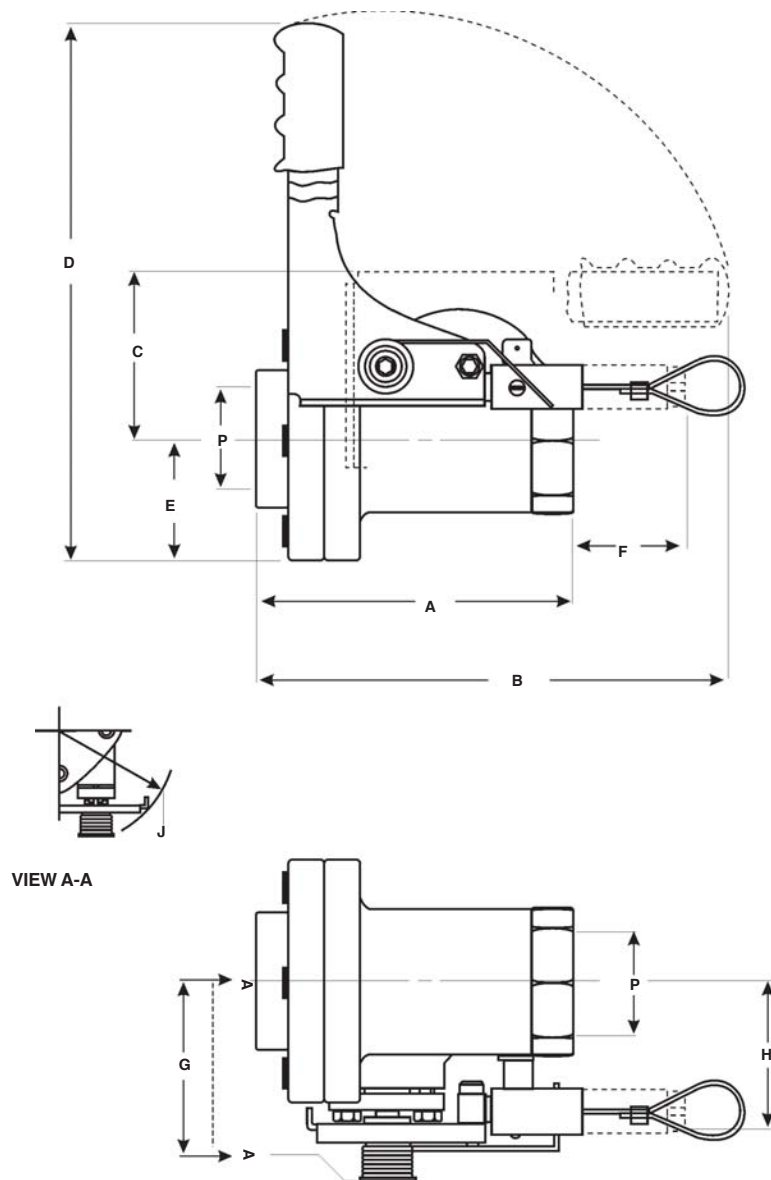


Figure 2. Dimensions

Table 2. Dimensions and Shipping Weight										
P INCHES NPT	DIMENSIONS, INCHES (mm)									APPROXIMATE SHIPPING WEIGHT, POUNDS (KG)
	A	B	C	D	E	F	G	H	J	
1-1/4	5.9 (150)	9.6 (244)	3.4 (86)	10.4 (264)	2.0 (51)	3.6 (91)	5.1 (130)	3.2 (82)	5.5 (140)	11 (5)
2	7.2 (183)	10.0 (254)	3.9 (99)	11.6 (295)	2.9 (74)	2.6 (66)	5.4 (137)	3.5 (89)	6.0 (152)	20.5 (9)
3	9.2 (234)	10.6 (269)	4.5 (114)	12.9 (328)	3.5 (89)	1.2 (31)	5.7 (145)	4.2 (107)	6.5 (165)	35 (16)